

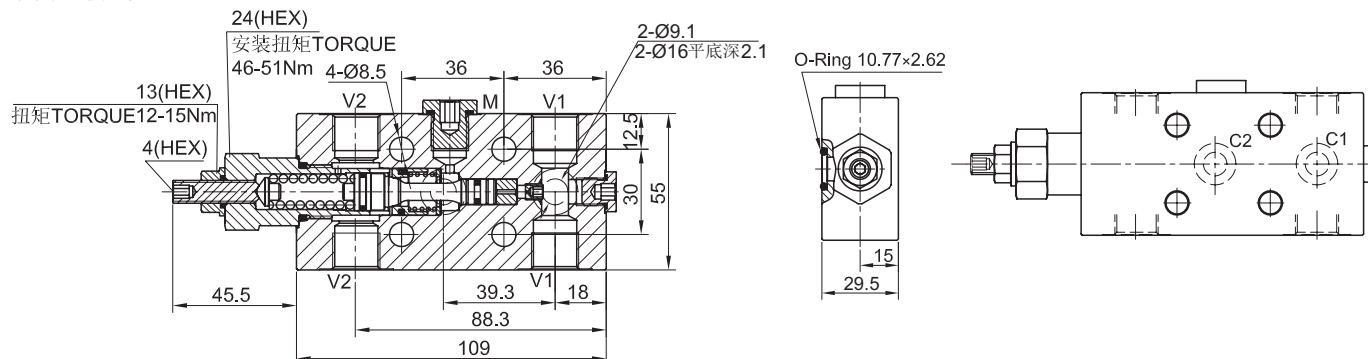
SCB-MMB2-SE30G-3G

单向平衡阀组

说明 DESCRIPTION

Single counterbalance manifolds

单向平衡阀

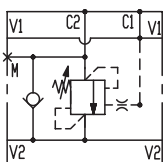


工作 OPERATION

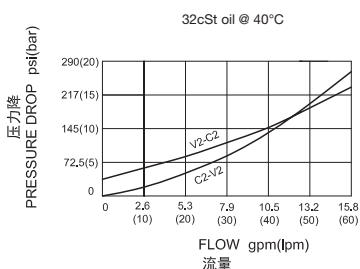
When pressure at V2 rises above the spring bias pressure, the check seat is pushed away from the piston and flow is allowed from V2 to C2. When load pressure at C2 rises above the pressure setting, the direct-acting, differential area relief function is activated and flow is relieved from C2 to V2. With pilot pressure at V1, the pressure setting is reduced in proportion to the stated ratio of the valve, until fully open with free-flow from C2 to V2. The spring chamber is drained to V2, and any back-pressure at V2 is additive to the pressure setting in all functions.

当 V2 口压力升高超过单向阀开启压力时，单向阀 V2 口到 C2 口开启。当负载 C2 口压力升高超过弹簧的设定值，C2 口到 V2 口溢流过载。当先导 V1 口压力升高，使得溢流阀的压力设定按照液控比降低，直至完全开启，油液从 C2 口到 V2 口自由流动。弹簧腔与 V2 口连通，V2 口背压叠加到阀的压力设定值上。

SYMBOL



压力 - 流量曲线 PRESSURE DROP VS.FLOW



订货代号 TO ORDER

SCB - MMB2 - SE30G - 3G - * *



- 1 功能
SCB= 单向平衡阀 Single Counterbalance Manifolds
- 2 连接类型 **ConnectionType**
- 3 规格 **Size**
- 4 液控比 **Pilot Ratio**
G=4.2:1

- 5 阀块油口 **Body Porting**
3G=G 3/8
其它螺纹油口也是可选择的
Other Porting is Available

- 6 调压范围 **Spring Ranges**
35=1450-5000psi(100-350bar)
Preset:5000psi(350bar) 130bar/ 圈
21=870-3000psi(60-210bar)
Preset:3000psi(210bar) 65bar/ 圈
固定设定值 psi(bar) Q=5l/min