

LSV2-10-44

二位四通电磁阀 滑阀式

说明 DESCRIPTION

A solenoid operated, 4-way, 2-position, spool-type cartridge valve.

二位，四通，滑阀式电磁阀

工作 OPERATION

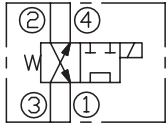
When de-energized, the valve allows flow from ③ to ④, as well as from ② to ①.

When energized, the cartridge's spool shifts to open ③ to ① while blocking ④ and ②.

失电时，允许油液从③流向④，以及从②流向①。

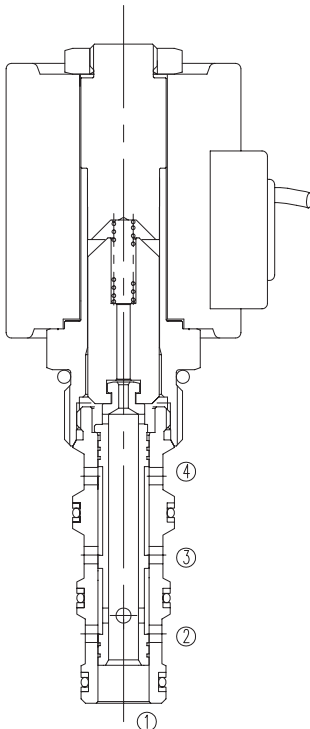
得电时，阀芯移动，从而接通③流向①，而截止④和②。

SYMBOL

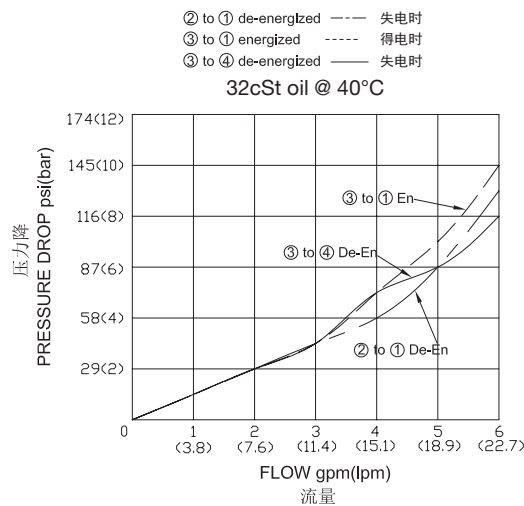


技术参数 SPECIFICATIONS

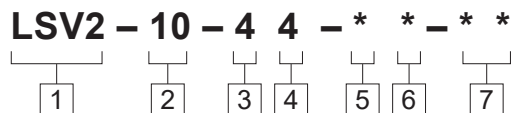
工作压力(Operating Pressure):	207bar
流量(Flow):	See PRESSURE DROP VS.FLOW graph.
内泄漏(Internal Leakage):	82cc/min.(毫升/分) max. at 207bar
温度(Temperature):	-40°F to +212°F(-40°C to +100°C)
线圈额定负载(Coil Duty Rating):	Continuous from 85% to 115% of nominal voltage(连续工作电压)
过滤(Filtration):	See page (参见) N-1
油液(Fluids):	Mineral-based fluids with viscosities of 7.4 to 420 cSt.(矿物油粘度)
插孔(Cavity):	10-4, See page M-2
阀块材料(Body Material):	6061-T6 aluminum alloy rated to 207bar, Steel & Ductile iron rated to 350bar 6061-T6铝,允许使用最大压力207bar 钢和球铁允许使用最大压力350bar



压力 - 流量曲线 PRESSURE DROP VS.FLOW



订货代号 TO ORDER



- 1 功能
LSV2= 电磁阀 Solenoid Valve
- 2 规格 Slize
10=10 规格
- 3 流道类型 Flow Path
4= 四通
- 4 模式
4= 通电卸荷

- 5 电压 Voltage
 1=12 VDC
 2=24 VDC
 3=110 VAC
 4=220 VAC
 5=10 VDC
- 6 线圈连接 Coil Connection
 D= Double Lead 双线
 S= Single Lead 单线
 H= Hirschmann 三插
 C= Conduit 带嵌套
 ER= Deutsch Connector(Water-proof Coil)
 德意志插座(防水线圈)
 B= Double Spade 双插

- 7 阀块油口 Body Porting
 空白 Blank= 不带阀块 None
 6T=SAE 6
 8T=SAE 8
 2G=G 1/4
 3G=G 3/8

※ 阀块详见章节 K-6
其它螺纹油口也是可选择的
Other Porting Is Available

安装尺寸 INSTALLATION DIMENSIONS

Coil Must Be Installed With Letter Up
安装线圈时，字母必须朝上。

Unit=Millimeters

