

LSV2-08-4MC/3F

二位四通电磁阀 滑阀型

说明 DESCRIPTION

A solenoid operated, 4-way, 2-position, spool-type cartridge valve

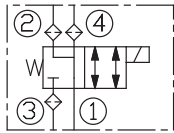
二位，四通，滑阀式电磁阀

工作 OPERATION

When de-energized, the valve allows flow from ② to ① and from ④ to ① while blocking ③. When energized, the cartridge's spool shifts to allow flow from ③ to ② or from ② to ③ and from ④ to ① or from ① to ④.

失电时，①、②和④通，③口关闭；得电时，③和②通，④和①通。

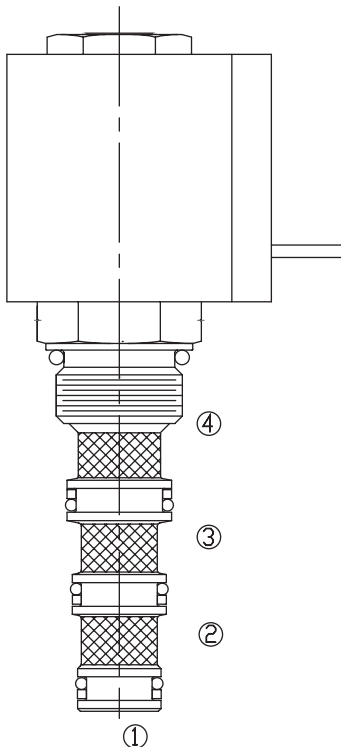
SYMBOL



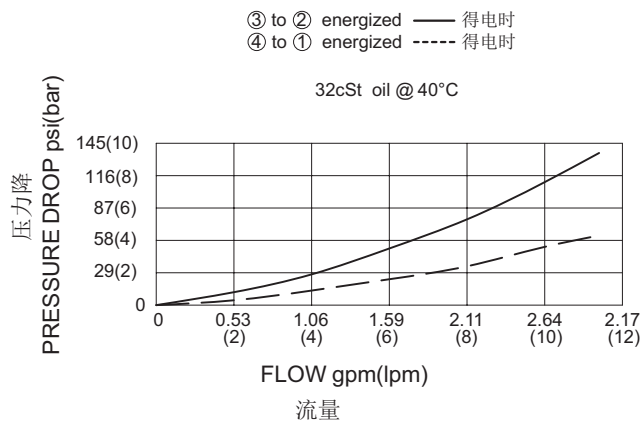
技术参数 SPECIFICATIONS

工作压力(Operating Pressure):	207bar
流量(Flow):	See PRESSURE DROP VS.FLOW graph.
内泄漏(Internal Leakage):	82 cc/min.(毫升/分) max. at 207bar
温度(Temperature):	-40°F to +212°F(-40°C to +100°C)
线圈额定负载(Coil Duty Rating):	Continuous from 85% to 115% of nominal voltage(连续工作电压)
过滤(Filtration):	See Page (参见) N-1
油液(Fluids):	Mineral-based fluids with viscosities of 7.4 to 420 cSt.(矿物油粘度)
插孔(Cavity):	08-4, See page M-1
阀块材料(Body Material):	

6061-T6 aluminum alloy rated to 207Bar, Steel & Ductile iron rated to 350Bar
 6061-T6铝,允许使用最大压力207Bar 钢和球铁允许使用最大压力350Bar



压力 - 流量曲线 PRESSURE DROP VS.FLOW



LSV2 - 08 - 4 MC/ ** - *- * * - * *

1
2
3
4
5
6
7
8
9

<p>1 功能 LSV2= 电磁阀 Solenoid Valve</p>	<p>6 手控应急 空白 Blank= 无手控应急 None</p>	<p>9 阀块油口 Body Porting 空白 Blank= 不带阀块 None 6T=SAE 6 2G=G 1/4 3G=G 3/8</p>
<p>2 规格 Slize 08=08 规格</p>	<p>7 电压 Voltage 1=12 VDC 2=24 VDC 3=110 VAC 4=220 VAC 5=10 VDC</p>	<p>※ 阀块详见章节 K-3 其它螺纹油口也是可选择的 Other Porting Is Available</p>
<p>3 流道类型 Flow Path 4= 四通</p>	<p>8 线圈连接 Coil Connection D= Double Lead 双线 H= Hirschmann 三插 C= Conduit 带嵌套 ER= Deutsch Connector(Water-proof Coil) 德意志插座(防水线圈) B= Double Spade 双插</p>	
<p>4 模式 MC=Motor Center</p>		
<p>5 过滤 Filtration 空白 Blank= 无过滤网 None 3F = ②、③、④口有过滤网 Ports ②、③、④ With Screen</p>		

安装尺寸 INSTALLATION DIMENSIONS

Coil Must Be Installed With Letter Up
安装线圈时，字母必须朝上。

Unit=Millimeters

