

# LSV2-08-4 NC

## 二位四通电磁阀 常闭型

### 说明 DESCRIPTION

A solenoid operated, 4-way, 2-position, normally closed spool-type cartridge valve.  
二位，四通，滑阀式电磁阀

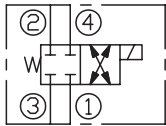
### 工作 OPERATION

When de-energized, the valve flows paths are blocked. When energized, the cartridge's spool shifts to allow flow from ③ to ④ or from ④ to ③ and from ② to ① or from ① to ② .  
失电时，①②③④都关闭；得电时，③和④通，②与①通。

### 手控应急 Operation of Manual Override Option

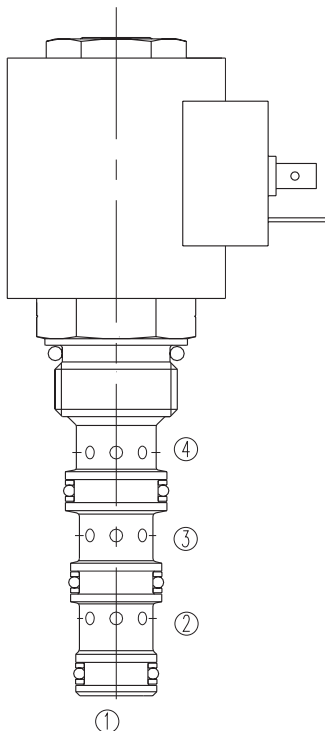
To override, push button in, twist counterclockwise 180° and release. In this position, valve will remain detented in the shifted condition. To return to normal operation, push button in, twist clockwise 180° and release. Override will be detented in this position.  
请按下按钮，再逆时针方向旋转 180°，后松开，③和④通，②与①通；请按下按钮，再顺时针方向旋转 180°，后松开，返回常态。

### SYMBOL

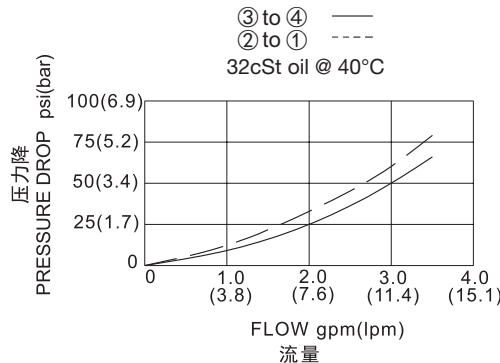


### 技术参数 SPECIFICATIONS

工作压力(Operating Pressure):	207bar
流量(Flow):	See PERFORMANCE CHARACTERISTIC graph.
内泄漏(Internal Leakage):	82cc/min.(毫升/分) max. at 207bar
温度(Temperature):	-40°F to +212°F(-40°C to +100°C)
线圈额定负载(Coil Duty Rating):	Continuous from 85% to 115% of nominal voltage(连续工作电压)
过滤(Filtration):	See page (参见) N-1
油液(Fluids):	Mineral-based fluids with viscosities of 7.4 to 420 cSt.(矿物油粘度)
插孔(Cavity):	08-4, See page M-1
阀块材料(Body Material):	6061-T6 aluminum alloy rated to 207bar, Steel & Ductile iron rated to 350bar 6061-T6铝, 允许使用最大压力207bar 钢和球铁允许使用最大压力350bar



### 压力 - 流量曲线 PRESSURE DROP VS.FLOW



**LSV2 - 08 - 4 NC - \* - \* \* - \* \***

1   
 2   
 3 4   
 5 6 7   
 8

- 1** 功能  
LSV2= 电磁阀 Solenoid Valve

---

- 2** 规格 Size  
08=08 规格

---

- 3** 流道类型 Flow Path  
4= 四通

---

- 4** 模式  
NC= 常闭 Normally Closed

---

- 5** 手控应急  
空白 Blank= 无手控应急 None  
M= 手控应急 Manual Override

- 6** 电压 Voltage  
1=12 VDC  
2=24 VDC  
3=110 VAC  
4=220 VAC  
5=10 VDC  
7=48 VDC  
8=24 VAC

---

- 7** 线圈连接 Coil Connection  
D= Double Lead 双线  
S= Single Lead 单线  
H= Hirschmann 三插  
C= Conduit 带嵌套  
ER= Deutsch Connector(Water-proof Coil)  
德意志插座(防水线圈)  
E= Single Stud 单接线柱  
B= Double Spade 双插

- 8** 阀块油口 Body Porting  
空白 Blank= 不带阀块 None  
4T=SAE 4  
6T=SAE 6  
2G=G 1/4  
3G=G 3/8

※ 阀块详见章节 K-3  
其它螺纹油口也是可选择的  
Other Porting Is Available

**安装尺寸 INSTALLATION DIMENSIONS**

Coil Must Be Installed With Letter Up  
安装线圈时，字母必须朝上。

Unit=Millimeters

