

LMR-10

节流阀

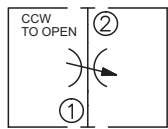
说明 DESCRIPTION

A cartridge-style manual-rotary adjustable flow control valve
 手动节流阀

工作 OPERATION

The valve will increase or decrease flow by changing the variable orifice with the rotary adjustment. Recommended flow path is ② to ①.
 通过转动手轮改变节流孔大小，来调节②口到①口的流量大小。

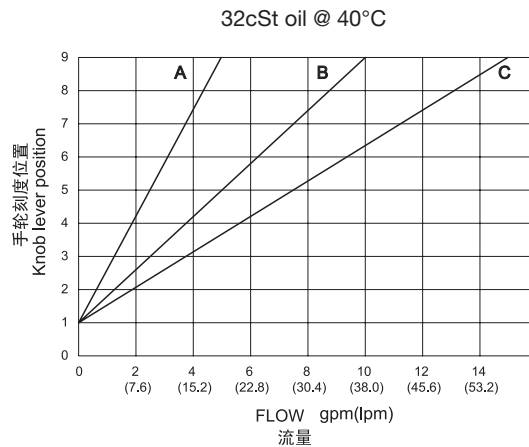
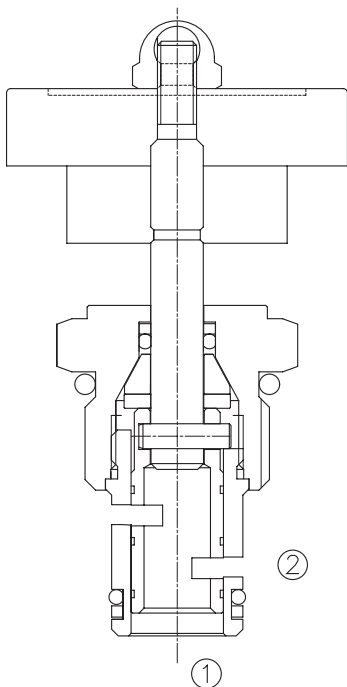
SYMBOL



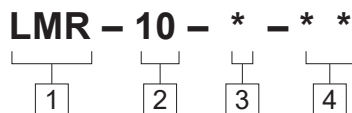
技术参数 SPECIFICATIONS

工作压力(Operating Pressure):	250bar
流量(Flow):	See PRESSURE DROP VS. FLOW graph.
最大流量范围(Max. Flow Ranges):	A: 0~18.9L/min. B: 0~37.8L/min. C: 0~56.8L/min.
内泄漏(Internal Leakage):	164 ml /min. max. at 250 bar
温度(Temperature):	-40°F to +250°F(-40°C to +120°C)
过滤(Filtration):	See page (参见) N-1
油液(Fluids):	Mineral-based fluids with viscosities of 7.4 to 420 cSt.(矿物油粘度)
插孔(Cavity):	10-2, See page M-2
阀块材料(Body Material):	6061-T6 aluminum alloy rated to 207bar, Steel & Ductile iron rated to 350bar 6061-T6铝,允许使用最大压力207bar 钢和球铁允许使用最大压力350bar

压力 – 流量曲线 PRESSURE DROP VS.FLOW



订货代号 TO ORDER



1 功能
LMR= 手动转阀
Manual-rotary Adjustable Flow Control Valve

3 流量范围 Flow Ranges
A=0-18.9L/min
B=0-37.8L/min
C=0-56.8L/min

3 阀块油口 Body Porting
空白 Blank= 不带阀块 None
6T=SAE6
8T=SAE8
3G=G 3/8
4G=G 1/2

2 规格 Size
10=10 规格

※ 阀块详见章节 K-4
其它螺纹油口也是可选择的
Other Porting is Available

F

安装尺寸 INSTALLATION DIMENSIONS

Unit=Millimeters

