

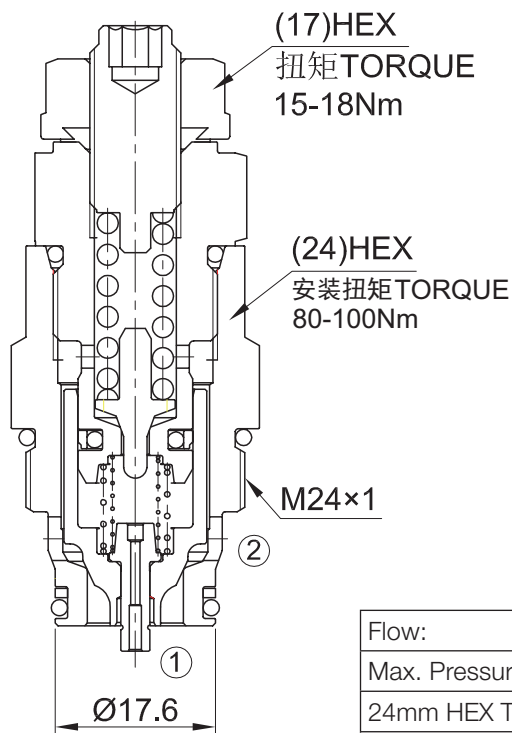
工程机械用

LPOSRV2-M24

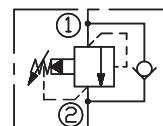
先导溢流阀带反向单向阀功能
(补油开启压力 2bar)

说明 DESCRIPTION

A pilot-operated pressure limitation and feed valve



SYMBOL



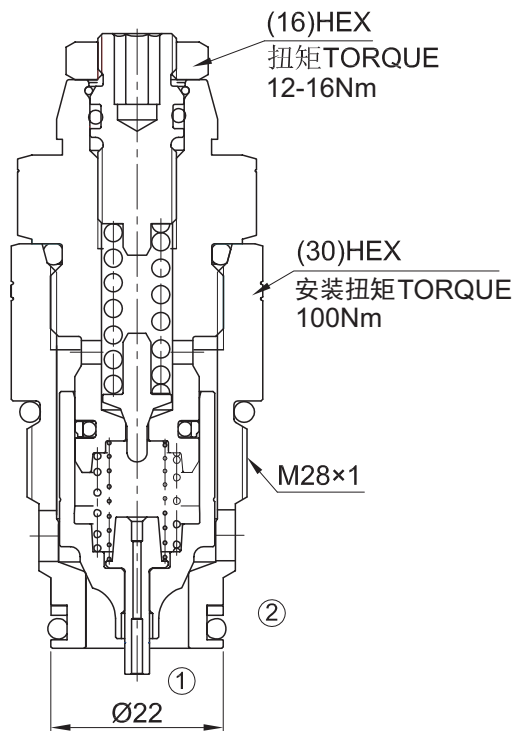
Flow:	100L/min
Max. Pressure:	42Mpa
24mm HEX Torque:	80-90Nm
Cavity:	Rexroth-FB, see page(M-15)

LPOSRV2-M28

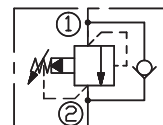
先导溢流阀带反向单向阀功能
(补油开启压力 2bar)

说明 DESCRIPTION

A pilot-operated pressure limitation and feed valve.



SYMBOL



Flow:	200L/min
Max. Pressure:	42Mpa
30mm HEX Torque:	90-100Nm
Cavity:	Rexroth-FC, see page(M-25)