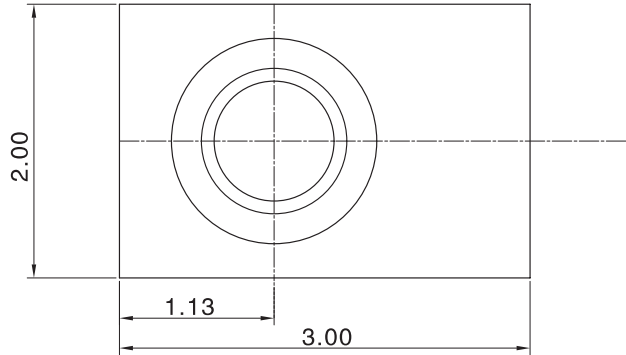
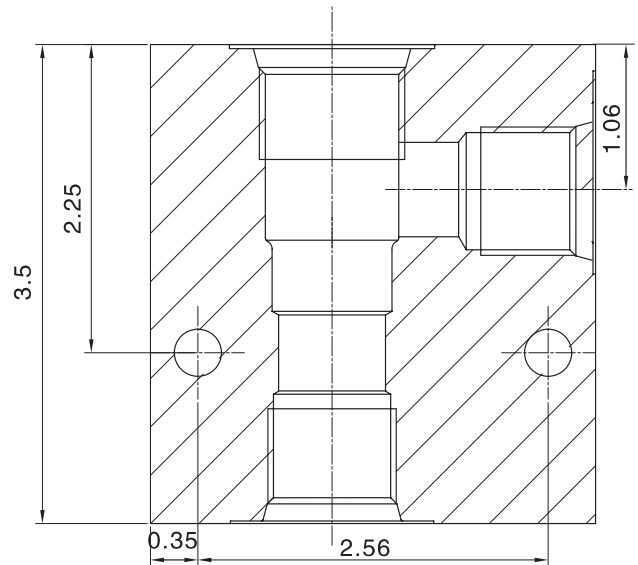
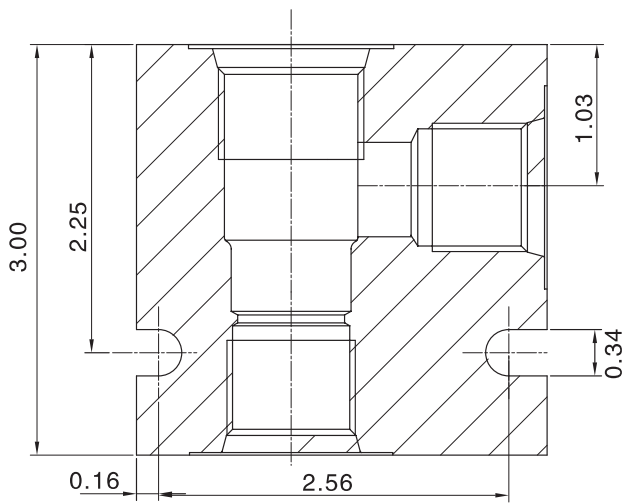
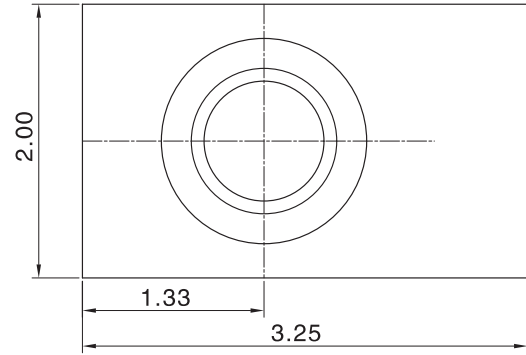


2-WAY 二通  
Aluminum (铝)



2-WAY 二通  
Steel (钢)



Unit=Inches

SERIES 12 2-WAY HOUSINGS			
Part No.	Material	Operating Pressure	Ports
LB12-2-A-10T	Aluminum,6061-T6	210 bar (3000 psi)	SAE 10
LB12-2-A-12T	Aluminum,6061-T6	210 bar (3000 psi)	SAE 12
LB12-2-A-16T	Aluminum,6061-T6	210 bar (3000 psi)	SAE 16
LB12-2-A-4G	Aluminum,6061-T6	210 bar (3000 psi)	G 1/2
LB12-2-A-6G	Aluminum,6061-T6	210 bar (3000 psi)	G 3/4
LB12-2-A-8G	Aluminum,6061-T6	210 bar (3000 psi)	G 1
LB12-2-S-10T	Steel	350 bar (5000 psi)	SAE 10
LB12-2-S-12T	Steel	350 bar (5000 psi)	SAE 12
LB12-2-S-16T	Steel	350 bar (5000 psi)	SAE 16
LB12-2-S-4G	Steel	350 bar (5000 psi)	G 1/2
LB12-2-S-6G	Steel	350 bar (5000 psi)	G 3/4
LB12-2-S-8G	Steel	350 bar (5000 psi)	G 1

K