

LSV-08-2 NOSP-L

二位二通电磁阀 双向止回型

专利号 : 201420700599.5

说明 DESCRIPTION

A solenoid operated, 2-way, 2-position, normally open, poppet-type bi-directional cartridge valve.

二位, 二通, 常开型座阀式电磁阀

工作 OPERATION

When de-energized, the poppet allows flow in both directions. When energized, the valve blocks flow in both directions.

失电时, 阀芯开启, ②到①, ①到②互通;

得电时, 此阀截止油液双向流动。

手控应急 Operation of Manual Override Option

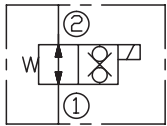
M: To override, push button in to activate. To return to normal valve function, release button.

MK: Twist clockwise to the end(about 2 turns), manual override is detented in this position, blocking flow between ② and ① . To return to normal operation, twist counterclockwise 2 turns.

M: 请用工具按下并按住按钮, ②与①双向截止; 松开按钮, 返回常态。

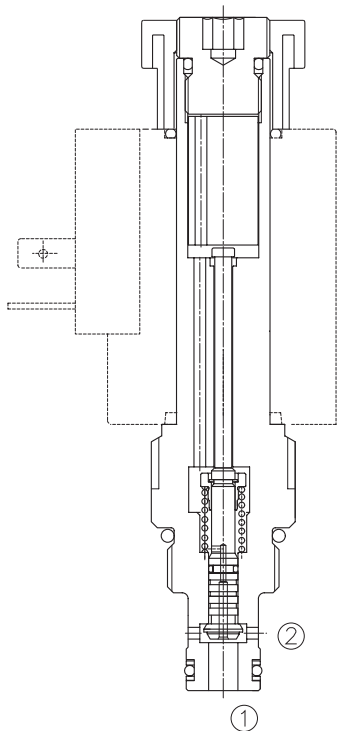
MK: 顺时针旋转旋钮直至旋紧约 2 圈, 手控应急锁定, ②与①双向截止; 逆时针旋转旋钮 2 圈, 返回常态。

SYMBOL



技术参数 SPECIFICATIONS

最大工作压力(Max. Operating Pressure):	280bar
流量(Flow):	See PRESSURE DROP VS.FLOW graph.
内泄漏(Internal Leakage):	<1 drops/min.(滴/分)Our ideal leakage: <0.05 drops/min
温度(Temperature):	-40°F to +212°F(-40°C to +100°C)
线圈额定负载(Coil Duty Rating):	Continuous from 85% to 115% of nominal voltage(连续工作电压)
过滤(Filtration):	See page (参见) N-1
油液(Fluids):	Mineral-based fluids with viscosities of 7.4 to 420 cSt.(矿物油粘度)
插孔(Cavity):	08-2, See page M-1
阀块材料(Block Material):	6061-T6 aluminum alloy rated to 207bar, Steel & Ductile iron rated to 350bar 6061-T6铝, 允许使用最大压力207bar 钢和球铁允许使用最大压力350bar



压力 - 流量曲线 PRESSURE DROP VS.FLOW

