

LSV3-58-2 NCP

二位二通电磁阀（先导控制用）

说明 DESCRIPTION

A solenoid operated, 2-way, 2-position, normally closed, poppet-type bi-directional cartridge valve.

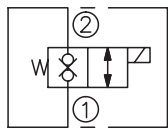
二位，二通，常闭型座阀式电磁阀

工作 OPERATION

When de-energized, the valve blocks in both directions until pressure rating is achieved. When pressure on port ① exceeds rating, flow is allowed to pass from ① to ②. When energized the needle point lifts to allow flow in both directions. Port ② is recommended as the load-holding port.

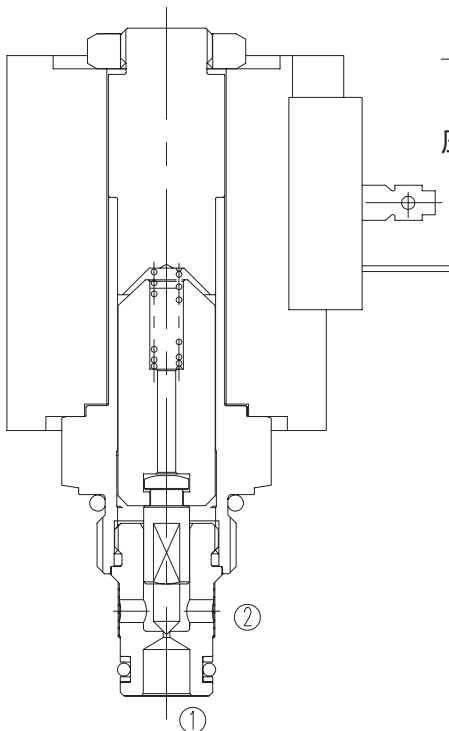
失电时，此阀截止油液双向流动，直到①处的压力超过额定值，油液可以从①到②；得电时，②到①，①到②互通，建议油口②为负载保持油口。

SYMBOL

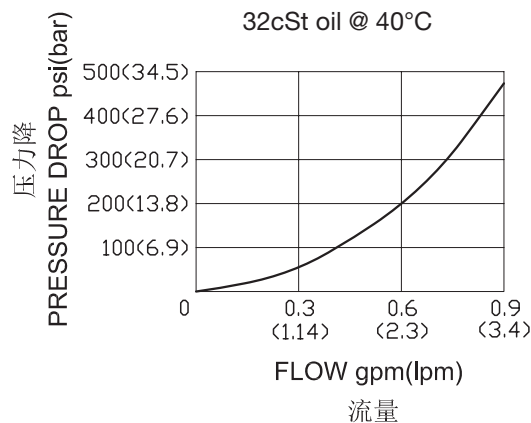


技术参数 SPECIFICATIONS

工作压力(Max. Operating Pressure):	207bar
耐压(Proof Pressure):	520bar
流量(Flow):	See PRESSURE DROP VS.FLOW graph
内泄漏(Internal Leakage):	2 drops/min.(滴/分)max. at 207bar
温度(Temperature):	-40°F to +212°F(-40°C to +100°C)
线圈额定负载(Coil Duty Rating):	Continuous from 85% to 115% of nominal voltage(连续工作电压)
过滤(Filtration):	See page (参见) N-1
油液(Fluids):	Mineral-based fluids with viscosities of 7.4 to 420 cSt.(矿物油粘度)
插孔(Cavity):	08-2, See page M-1
阀块材料(Body Material):	6061-T6 aluminum alloy rated to 207bar, Steel & Ductile iron rated to 350bar 6061-T6铝,允许使用最大压力207bar 钢和球铁允许使用最大压力350bar



压力 - 流量曲线 PRESSURE DROP VS.FLOW



LSV3 - 58 - 2 NC P - * * - * *

┌───┐
┌───┐
┌───┐
┌───┐
┌───┐
┌───┐
┌───┐

1
2
3
4
5
6
7
8

- 1 功能
LSV3= 电磁阀 Solenoid Valve
- 2 规格 Size
58=58 规格
- 3 流道类型 Flow Path
2= 二通
- 4 模式
NC= 常闭 Normally Closed
- 5 类型
P= 锥阀型 Poppet

- 6 电压 Voltage
 1=12 VDC
 2=24 VDC
 3=110 VAC
 4=220 VAC
 5=10 VDC
 7=48 VDC
 8=24 VAC
- 7 线圈连接 Coil Connection
 D= Double Lead 双线
 S= Single Lead 单线
 H= Hirschmann 三插
 ER= Deutsch Connector(Water-proof Coil)
 德意志插座(防水线圈)
 B= Double Spade 双插

- 8 阀块油口 Body Porting
 空白 Blank= 不带阀块 None
 4T=SAE 4
 6T=SAE 6
 2G=G 1/4
 3G=G 3/8

※ 阀块详见章节 K-1
其它螺纹油口也是可选择的
Other Porting Is Available

安装尺寸 INSTALLATION DIMENSIONS

Coil Must Be Installed With Letter Up
安装线圈时，字母必须朝上。

Unit=Millimeters

