

# LSV2-07-3

## 二位三通电磁阀 滑阀型

### 说明 DESCRIPTION

A solenoid operated, 3- way, 2-position, spool-type cartridge valve.

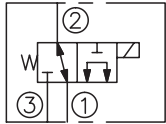
二位，三通，滑阀式电磁阀

### 工作 OPERATION

When de-energized, the valve allows flow from ② to ① or from ① to ② ,while blocking flow at ③ . When energized, the cartridge's spool shifts to allow flow from ① to ③ or from ③ to ① , while blocking flow at ② .

失电时，②和①通，与③不通；得电时，①和③通，与②不通。

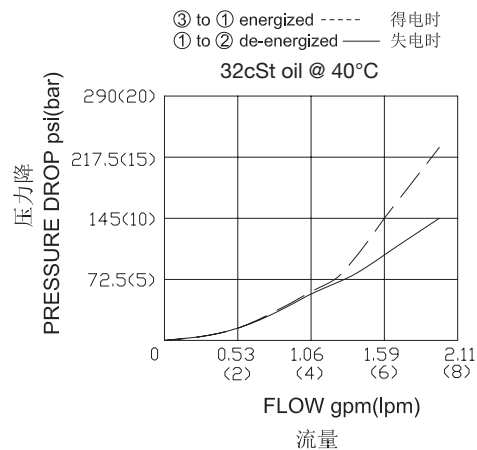
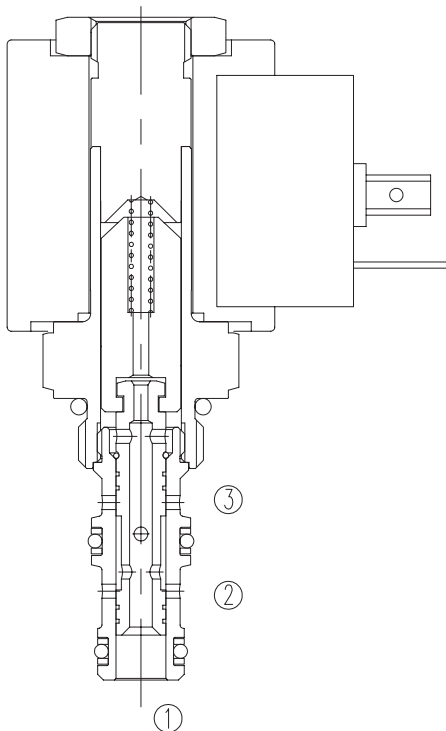
### SYMBOL



### 技术参数 SPECIFICATIONS

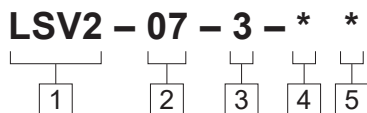
工作压力(Operating Pressure):	207bar
流量(Flow):	See PERFORMANCE CHARACTERISTIC graph.
内泄漏(Internal Leakage):	(per land)82cc/min.(毫升/分) max. at 207bar
温度(Temperature):	-40°F to +212°F(-40°C to +100°C)
线圈额定负载(Coil Duty Rating):	Continuous from 85% to 115% of nominal voltage(连续工作电压)
过滤(Filtration):	See page (参见) N-1
油液(Fluids):	Mineral-based fluids with viscosities of 7.4 to 420 cSt.(矿物油粘度)
插孔(Cavity):	07-3,See page M-25
阀块材料(Body Material):	6061-T6 aluminum alloy rated to 207bar, Steel & Ductile iron rated to 350bar 6061-T6铝,允许使用最大压力207bar 钢和球铁允许使用最大压力350bar

### 压力 – 流量曲线 PRESSURE DROP VS.FLOW



订货代号 TO ORDER

A



<p><b>1 功能</b> LSV2= 电磁阀 Solenoid Valve</p>	<p><b>4 电压 Voltage</b> 1=12 VDC 2=24 VDC 3=110 VAC 4=220 VAC 5=10 VDC 7=48 VDC 8=24 VAC</p>	<p><b>5 线圈连接 Coil Connection</b> D= Double Lead 双线 S= Single Lead 单线 H= Hirschmann 三插 ER= Deutsch Connector(Water-proof Coil) 德意志插座(防水线圈) IP69K E= Single Stud 单接线柱 B= Double Spade 双插</p>
<p><b>2 规格 Size</b> 07=07 规格</p>		
<p><b>3 流道类型 Flow Path</b> 3= 三通</p>		

**安装尺寸 INSTALLATION DIMENSIONS**

Coil Must Be Installed With Letter Up  
安装线圈时，字母必须朝上。

Unit=Millimeters

