

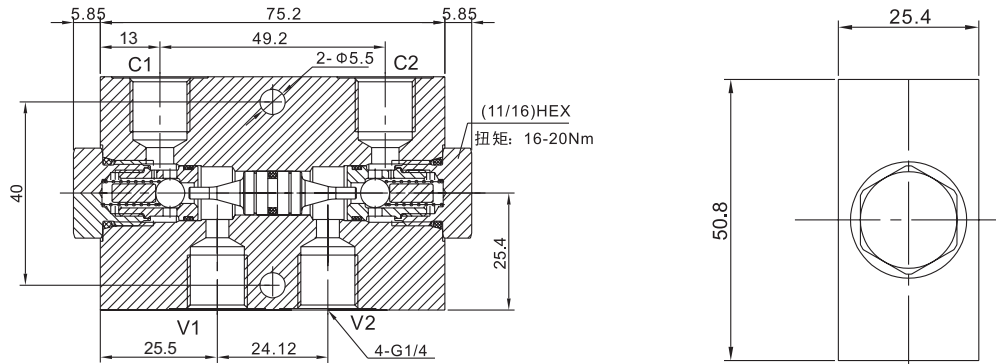
LMBDPC-06-A2G

双向液压锁



说明 DESCRIPTION

Dual pilot-operated check valve
inline mounted
双向液压锁

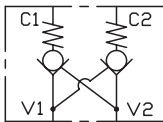


工作 OPERATION

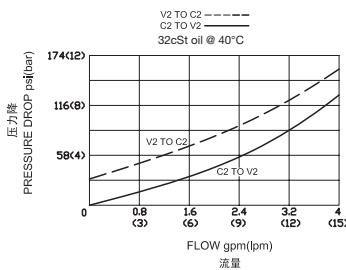
The valve will block from “C1” to “V1” and from “C2” to “V2”. Flow is allowed in the opposite direction when pressure is applied to port “V1” or “V2”. The valve has a 4.5:1 pilot ratio, so at least 1/4.5 of the load pressure at port “C1” or “C2” is required at the pilot lines (ports “V1” or “V2”) to open the flow passage to allow flow from ports “C1” or “C2”.

C1 到 V1, C2 到 V2 关闭。在相反方向, V1 到 C1, V2 到 C2 打开。控制比为 4.5:1, 所以在 V1 口或 V2 口的压力超过 C1 口或 C2 口的负载压力的 1/4.5 时, C1 到 V1 或 C2 到 V2 打开。

SYMBOL



压力 - 流量曲线 PRESSURE DROP VS.FLOW



技术参数 SPECIFICATIONS

最大工作压力(Max.Operating Pressure):	207bar
最大流量(Max.Flow):	15L/min.
控制比(Pilot Ratio):	4.5:1
内泄漏(Internal Leakage):	3 drops/min(滴/分). max. at nominal pressure
单向阀开启压力开启压力(Crack Pressures):	2.1bar
温度(Temperature):	-40°F to +250°F(-40°C to +120°C)
过滤(Filtration):	See page (参见) N-1
油液(Fluids):	Mineral-based fluids with viscosities of 7.4 to 420 cSt.(矿物油粘度)
阀块材料(Body Material):	6061-T6 aluminum alloy rated to 207bar, Steel & Ductile iron rated to 350bar 6061-T6铝, 允许使用最大压力207bar 钢和球铁允许使用最大压力350bar

订货代号 TO ORDER

LMBDPC - 06 - A - 2G

1

2

3

4

1 功能
LMBDPC= 双向液压锁
Dual Pilot-Operated Check valve Inline body

3 阀块材料 Body Material
A=Aluminum

4 阀块油口 BODY PORTING
2G=G 1/4
其它螺纹油口也是可选择的
Other Porting is Available

2 规格 Size
06=06 规格