

# LNV1-10

## 节流阀

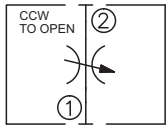
### 说明 DESCRIPTION

A cartridge-style manually-adjustable needle valve  
手动节流阀

### 工作 OPERATION

The valve varies flow restriction by adjusting needle in or out and will shut off when fully closed. These valves will meter flow in either direction.  
节流阀流量大小或关闭可通过调节螺杆来实现。

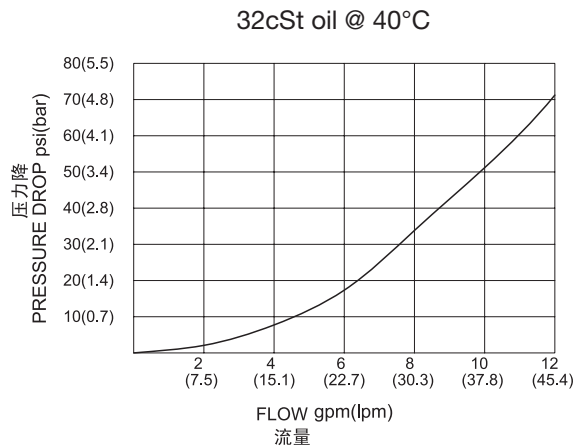
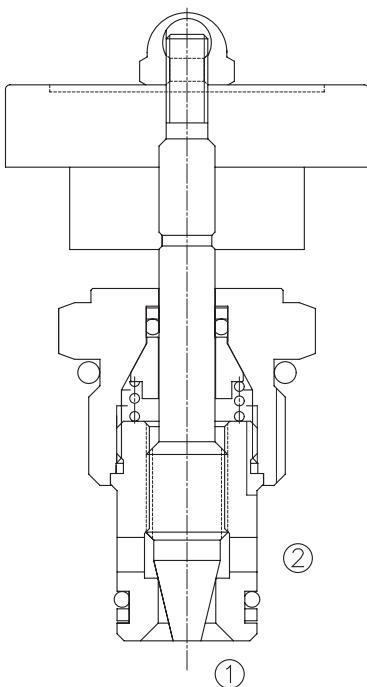
### SYMBOL



### 技术参数 SPECIFICATIONS

工作压力(Operating Pressure):	250bar
流量(Flow):	See PRESSURE DROP VS. FLOW graph.
内泄漏(Internal Leakage):	2 drops/min(滴/分). max. at 250 bar
温度(Temperature):	-40°F to +250°F(-40°C to +120°C)
过滤(Filtration):	See page (参见) N-1
油液(Fluids):	Mineral-based fluids with viscosities of 7.4 to 420 cSt.(矿物油粘度)
插孔(Cavity):	10-2, See page M-2
阀块材料(Body Material):	6061-T6 aluminum alloy rated to 207bar, Steel & Ductile iron rated to 350bar 6061-T6铝, 允许使用最大压力207bar 钢和球铁允许使用最大压力350bar

### 压力 – 流量曲线 PRESSURE DROP VS.FLOW



订货代号 TO ORDER

**LNV1 - 10 - \* \***

┌───┐

1

┌──┐

2

┌──┐

3

**1** 功能  
LNV1= 手动节流阀  
Manually-adjustable Needle Valve

**2** 规格 **Size**  
10=10 规格

**3** 阀块油口 **Body Porting**  
空白 **Blank**= 不带阀块 **None**  
6T=SAE6  
8T=SAE8  
3G=G 3/8  
4G=G 1/2

※ 阀块详见章节 K-4  
其它螺纹油口也是可选择的  
Other Porting is Available

F

安装尺寸 **INSTALLATION DIMENSIONS**

Unit=Millimeters

